

## WEDGE ORDER FORM:

Customer: \_\_\_\_\_

Date: \_\_\_\_\_

Ship To: \_\_\_\_\_

PO#: \_\_\_\_\_

\_\_\_\_\_

Date Required: \_\_\_\_\_

Quantity: \_\_\_\_\_

Length: \_\_\_\_\_

Material: \_\_\_\_\_

Width: \_\_\_\_\_

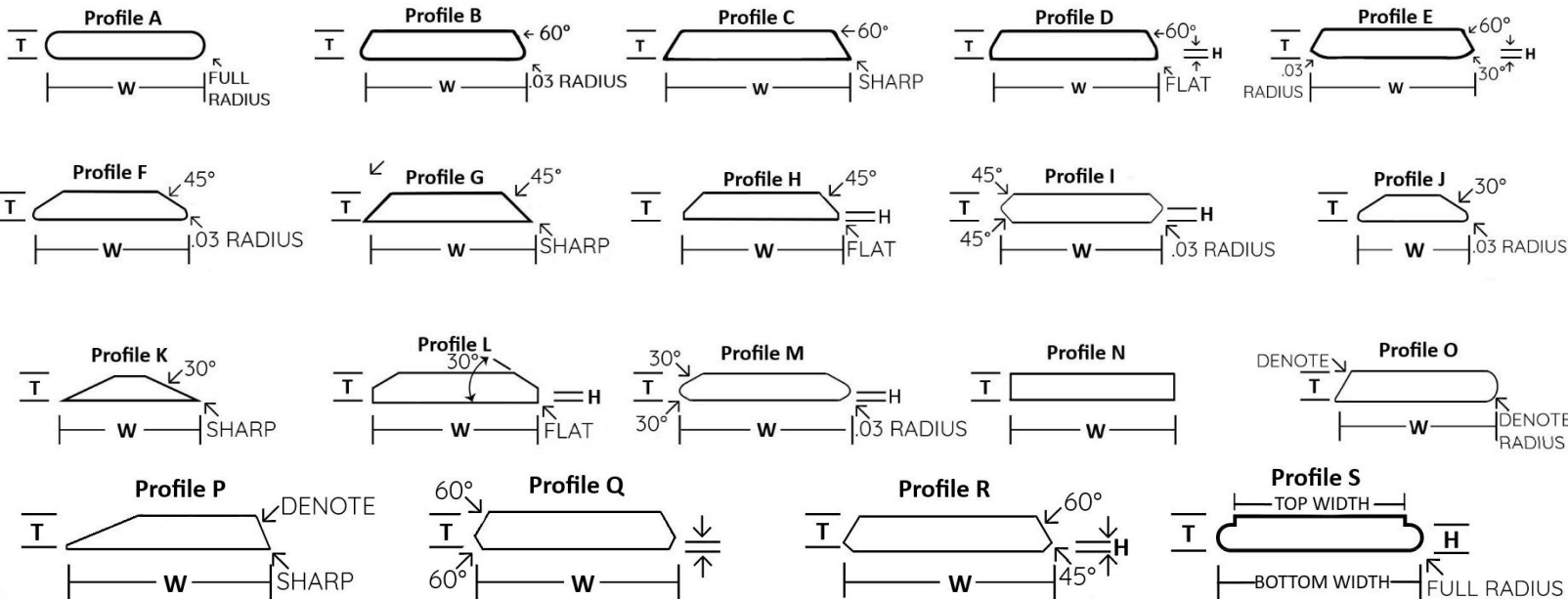
\_\_\_\_\_

Height (If Applicable): \_\_\_\_\_

Profile (Below): \_\_\_\_\_

Thickness: \_\_\_\_\_

<input type="checkbox"/> Fillers	<input type="checkbox"/> Slot Wedges	<input type="checkbox"/> Top Sticks	
<b>CLASS</b>	<b>POLYESTER:</b>	<b>HIGH PRESSURE</b>	<b>MAGNETIC:</b>
Class B (130°C)	<input type="checkbox"/> GP0-1, GP0-3	<input type="checkbox"/> G-10	<input type="checkbox"/> F Class
Class F (155°C)	<input type="checkbox"/> N155	<input type="checkbox"/> G-11	<input type="checkbox"/> H Class
Class H (180°C)	<input type="checkbox"/> EMD 200	<b>OTHER/SPECIAL REQUEST</b>	
Class R (220°C)	<input type="checkbox"/> SG-200	<input type="checkbox"/> Provide Drawing, Picture, or Sample	



THANK YOU FOR YOUR ORDER!